



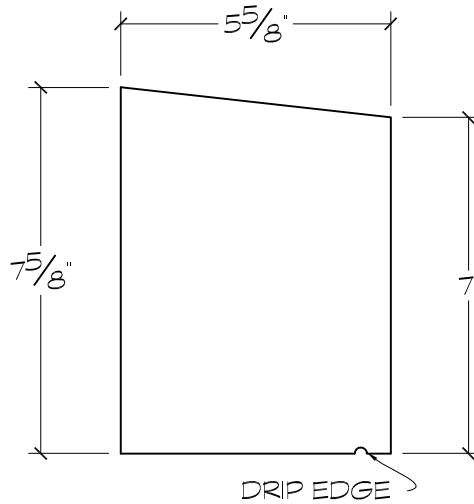
Harvey Cement Products, Inc.

Since 1947

16030 Park Avenue, Harvey, IL 60426

Ph: 708.333.1900 F: 708.333.1910

www.harveycement.com



CROSS SECTION

1

PROFILE HC

ARCH REF:

SCALE: 3"=1'-0"

Profile ID

HC

SUGGESTED USE

Sill	X
Transition Band	
Coping	
Cap	
Field / Band	
Cornice	

TYPE / SIZE
AVAILABILITY

TYPE	LENGTH(S)
Straight	23 5/8"

DRIP EDGE - OPTIONAL